

VANITY BASIN'S

SHELL SIT ON Vanity Basin

RAK
CERAMICS



SPECIFICATION/CODE REFERENCE

Please use the reference codes shown below:

SHELBAS

SIZE 395 x 325 X 175/150 mm

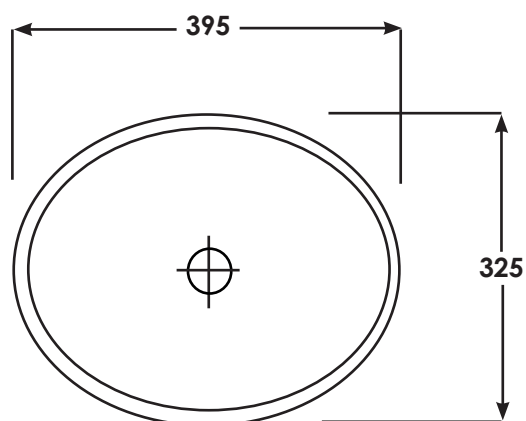
TAP HOLE No Taphole

MATERIAL Vitreous China

WEIGHT 5.20 kg

COLOURS White

WARRANTY 25 Years



Dimensions: All measurements are in millimeters and are subject to normal manufacturing variations.

Note: Due to a continuing development programme to improve design and performance, the manufacturer reserves all rights to vary specifications without prior informations. Please note accessories are for photographic use only.

Tel: 01730 237850 Fax: 01730 263210. RAK Ceramics, Frenchmans Road, Petersfield, Hampshire GU32 3AW
Contact us at: info.uk@rakceramics.com / Visit us at: www.rakceramics.com 2017